

FRIGO *minipack*

R404A
Refrigerant

R507A
Refrigerant

R134A
Refrigerant



Powered by Tecumseh Compressors

STANDARD UNIT WITH:

Tecumseh (L'Unite) Reciprocating Hermetic Compressors for medium and low temperature applications on R404A/R507A/R134A

AIR COOLED PACKAGED CONDENSING UNITS

World Class Brands in World Class Refrigeration Systems

STANDARD INCLUSIONS:

- All electrical components pre-wired and connected to electrical terminal block
- Rotary isolator
- Hydrophilic Blue aluminium fins and high efficiency inner grooved tube condensers
- Axial-flow, External rotor motors - horizontal air discharge
- Powder coated frame for protection against the elements in exposed locations
- Liquid receiver - ASME certified
- Liquid line drier
- Liquid line sight glass
- Dual pressure switch
- Crankcase heater
- Rotalock suction services valves
- Flexible high pressure control hoses



OPTIONAL EXTRAS:

- Fan speed controller
- Suction line filter
- Additional schrader connections
- Liquid line solenoid valve
- Suction Line Accumulator
- Oil Separator



FRIGO MINI PACK PRODUCT RANGE

Description	Operating Range	Nominal HP	Models	Ambient	Capacity Range
Med Temp R404A/R507A	+7C to -15C	1HP to 6-1/4HP	6** / 4	+35C	1.9kW to 11.5kW @ -5C SST
				+43C	1.7kW to 10.2kW @ -5C SST
Med Temp R134A	+10C to -15C	1/2HP to 2HP	5**	+35C	1.0kW to 3.8kW @ -5C SST
				+43C	0.9kW to 3.4kW @ -5C SST
Low Temp R404A/R507A	-15C to -40C	5/8HP to 5HP	6** / 3	+35C	0.5kW to 4.3kW @ -35C SST
				+43C	0.3kW to 3.2kW @ -35C SST

** Single phase models (Compressor) **NOTE:** All condenser fans are single-phase unless ordered otherwise

FEATURES:

- Small footprint relative to cooling capacity
- Light weight relative to cooling capacity
- Compact robust framework
- Spacious compressor compartment
- Easy access to components for service and maintenance
- Electrical components pre-wired to common terminal
- Pre-piped to suction and liquid line service valves
- Low noise levels - low vibration levels
- Pressure tested, evacuated and supplied with holding charge of dry nitrogen
- Renowned Component Brands

Compressor

Tecumseh (L'Unite)

Fans

External Rotor / Axial Flow

LP/HP

Danfoss

Switchgear

Schneider

APPLICATIONS:

All medium and low temperature commercial refrigeration applications on R134A, R404A or R507A refrigerant within operating envelope of compressor and parameters of the unit

Typical applications include cold rooms, freezer rooms, refrigerated display cabinets, liquid chillers.

MODEL NOMENCLATURE - RA FRIGO MINI PACK SERIES

Example: MP100MZ/1/S

Nomenclature

MP = RA Frigo Mini Pack
100 = 1HP
Z = R404A/R507
1 = Single Phase
S = Single Condenser Fan

Legend

M = Medium Temp (+7C TO -15C)
L = Low Temp (-15C TO -40C)
Y = R134A
3 = Three Phase
D = Dual Condenser Fan

FRIGO MINI PACK PACKAGED Air-Cooled Condensing Units Capacity Tables

Medium Temperature - R134A - Ratings in Watts

Cond. Unit Model	Comp Model	NOM HP	POWER SUPPLY	Ambient °C	SATURATED SUCTION TEMPERATURE					
					-15C	-10C	-5C	0C	+5C	+10C
R134A MED TEMP (SIDE - HORIZONTAL AIR DISCHARGE) L'UNITE HERMETIQUE COMPRESSORS - SINGLE PHASE										
MP050MY/1/S	CAJ4461Y	1/2	SINGLE PHASE 230/1N/50	28	767	952	1166	1401	1650	1906
				35	665	839	1044	1272	1518	1777
				43	559	725	927	1156	1408	1677
MP034MY/1/S	CAJ4492Y	3/4		28	908	1203	1505	1807	2105	2394
				35	794	1075	1371	1675	1981	2285
				43	672	943	1240	1554	1879	2209
MP100MY/1/S	CAJ4511Y	1		28	1429	1816	2239	2685	3143	3604
				35	1238	1602	2008	2445	2902	3371
				43	1040	1389	1788	2229	2701	3195
MP150MY/1/S	FH4518Y	1-1/2		28	1617	2261	2886	3485	4054	4589
				35	1413	2024	2639	3247	3840	4410
				43	1196	1781	2398	3030	3668	4300
MP200MY/1/S	FH4525Y	2	28	2697	3453	4300	5205	6135	7067	
			35	2340	3048	3862	4750	5684	6640	
			43	1967	2644	3444	4341	5309	6322	

FRIGO MINI PACK PACKAGED Air-Cooled Condensing Units Capacity Tables

Medium Temperature R404A/R507 - Ratings in Watts

Cond. Unit Model	Comp Model	NOM HP	POWER SUPPLY	Ambient °C	SATURATED SUCTION TEMPERATURE					
					-15C	-10C	-5C	0C	+5C	+7C
R404A/R507 MED TEMP (SIDE - HORIZONTAL AIR DISCHARGE) L'UNITE HERMETIQUE COMPRESSORS - SINGLE PHASE										
MP100MZ/1/S	CAJ9510Z	1	SINGLE PHASE 230/1N/50	28	1439	1714	2004	2302	2598	2746
				35	1355	1635	1936	2248	2564	2706
				43	1144	1402	1680	1973	2271	2427
MP118MZ/1/S	CAJ9513Z	1-1/8		28	1666	2002	2348	2698	3047	3236
				35	1536	1895	2272	2662	3058	3316
				43	1281	1809	1978	2356	2746	2890
MP114MZ/1/S	CAJ9517Z	1-1/4		28	1886	2228	2587	2951	3307	3461
				35	1814	2172	2557	2956	3355	3526
				43	1560	1894	2261	2648	3042	3258
MP150MZ/1/S	CAJ4519Z	1-1/2		28	2482	2985	3525	4097	4696	4997
				35	2322	2843	3403	4002	4641	4998
				43	1929	2413	2930	3486	4087	4462
MP200MZ/1/S	FH4525Z	2	28	2768	3366	3998	4658	5340	5699	
			35	2536	3178	3860	4581	5339	5747	
			43	2019	2636	3289	3987	4731	5132	
MP250MZ/1/S	FH4531Z	2-1/2	28	3522	4173	4820	5476	6142	6482	
			35	3213	3998	4756	5514	6282	6695	
			43	2452	3332	4147	4936	5731	6152	

R404A/R507 MED TEMP (SIDE - HORIZONTAL AIR DISCHARGE) L'UNITE HERMETIQUE COMPRESSORS - THREE PHASE

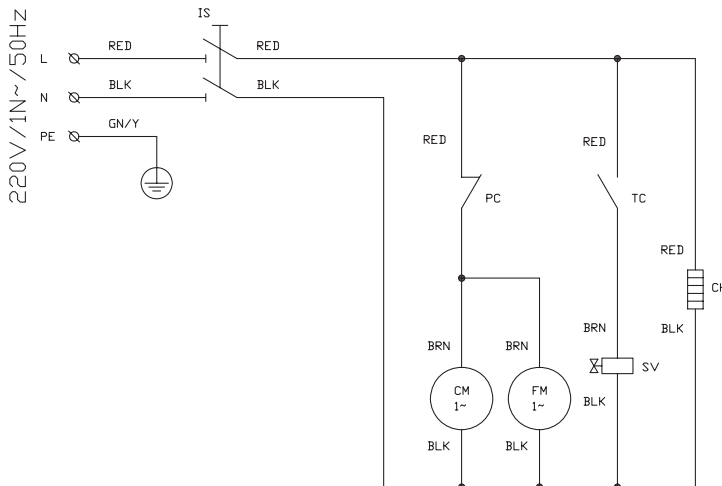
MP300MZ/3/D	TFH4540Z	3	THREE PHASE 415/3N/50	28	6190	7272	8495	9822	11217	11919
				35	5280	6324	7515	8821	10214	10946
				43	4174	5231	6439	7775	9213	9999
MP375MZ/3/D	TAG4546Z	4		28	5334	7013	8771	10560	12343	13244
				35	4517	6086	7768	9524	11316	12269
				43	3541	5026	6668	8433	10283	11258
MP500MZ/3/D	TAG4561Z	5		28	7530	9015	10733	12591	14508	15499
				35	6498	7951	9661	11545	13531	14537
				43	5197	6672	8429	10401	12521	13684
MP614MZ/3/D	TAG4573Z	6-1/4		28	9318	10857	12609	14474	16371	19300
				35	8167	9725	11522	13471	15493	18688
				43	6642	8294	10216	12331	14566	18195

FRIGO MINI PACK PACKAGED Air-Cooled Condensing Units Capacity Tables										
Low Temperature R404A/R507 - Ratings in Watts										
Cond. Unit Model	Comp Model	NOM HP	POWER SUPPLY	Ambient °C	SATURATED SUCTION TEMPERATURE					
					-40C	-35C	-30C	-25C	-20C	-15C
R404A LOW TEMP (SIDE - HORIZONTAL AIR DISCHARGE) L'UNITE HERMETIQUE COMPRESSORS - SINGLE PHASE										
MP058LZ/1/S	CAJ2428Z	5/8	SINGLE PHASE 230/1N/50	28	373	435	572	755	939	1140
				35	303	389	526	679	858	1056
				43	210	294	434	624	814	1022
MP034LZ/1/S	CAJ2432Z	3/4		28	354	475	666	879	1093	1322
				35		438	624	799	1010	1016
				43			527	741	962	1207
MP100LZ/1/S	CAJ2446Z	1		28	608	772	1045	1385	1698	2033
				35		720	989	1262	1565	1895
				43			863	1188	1505	1854
MP150LZ/1/S	CAJ2464Z	1-1/2		28	791	1010	1349	1675	2039	2419
				35		952	1285	1552	1906	2287
				43			1142	1495	1870	2283
MP200LZ/1/S	FH2480Z	2		28	1018	1385	1942	2600	3204	3841
				35		1257	1819	2366	2965	3604
				43			1507	2190	2845	3545
MP300LZ/1/S	FH2511Z	3	28	1978	2313	2896	3436	4168	4960	
			35	1705	2124	2715	3169	3897	4694	
			43	1272	1638	2254	2960	3753	4616	
R404A LOW TEMP (SIDE - HORIZONTAL AIR DISCHARGE) L'UNITE HERMETIQUE COMPRESSORS - THREE PHASE										
MP300LZ/3/S	TFH2511Z	3	THREE PHASE 415/3N/50	28	2028	2313	2896	3699	4721	5962
				35	1738	2124	2715	3512	4516	5725
				43	1289	1638	2254	3049	4025	5181
MP400LZ/3/D	TAG2516Z	4		28	1585	2477	3722	5121	6672	8377
				35	1328	2291	3498	4860	6375	8044
				43	873	1766	2910	4211	5668	7282
MP500LZ/3/D	TAG2522Z	5		28	4051	4621	5789	7395	9440	11923
				35	3470	4343	5426	7021	9028	11447
				43	2569	3268	4500	6092	8045	10358



Model No.	COMPRESSOR					CONDENSER		
	Model	NOM HP	Power Supply	Displace cc	MRA Amps	Qty & Rows	Capacity Watt Per KTD	Heat Exchange Surface m2
FRIGO MINI PACK PACKAGED CONDENSING UNITS - R404A/R507 MED TEMP UNITS								
MP100MZ/1/S	CAJ9510Z	1	230/1/50	18.30	5.9	1 x 3 Row	332	9.98
MP118MZ/1/S	CAJ9513Z	1-1/8	230/1/50	24.20	7.2	1 x 3 Row	332	9.98
MP114MZ/1/S	CAJ4517Z	1-1/4	230/1/50	25.95	7.9	1 x 3 Row	332	9.98
MP150MZ/1/S	CAJ4519Z	1-1/2	230/1/50	34.45	10.5	1 x 4 Row	623	12.66
MP200MZ/1/S	FH4524Z	2	230/1/50	43.50	11.3	1 x 4 Row	623	12.66
MP250MZ/1/S	FH4531Z	2-1/2	230/1/50	56.65	16.4	1 x 4 Row	623	12.66
MP300MZ/3/D	TFH4540Z	3	415/3/50	74.25	7.5/Ph	2 x 3 Row	664	19.96
MP375MZ/3/D	TAG4546Z	4	415/3/50	90.20	7.0/Ph	2 x 4 Row	1246	25.32
MP500MZ/3/D	TAG4561Z	5	415/3/50	112.50	9.0/Ph	2 x 4 Row	1246	25.32
MP614MZ/3/D	TAG4573Z	6-1/4	415/3/50	134.80	11.4/Ph	2 x 4 Row	1246	25.32
FRIGO MINI PACK PACKAGED CONDENSING UNITS - R404A/R507 LOW TEMP UNITS								
MP058LZ/1/S	CAJ2428Z	5/8	230/1/50	15.20	3.3	1 x 2 Row	186	6.33
MP034LZ/1/S	CAJ2432Z	3/4	230/1/50	18.30	3.5	1 x 2 Row	186	6.33
MP100LZ/1/S	CAJ2446Z	1	230/1/50	26.15	3.5	1 x 3 Row	332	9.98
MP150LZ/1/S	CAJ2464Z	1-1/2	230/1/50	34.45	3.8	1 x 3 Row	332	9.98
MP200LZ/1/S	FH2480Z	2	230/1/50	53.20	7.7	1 x 4 Row	623	12.66
MP300LZ/1/S	FH2511Z	3	230/1/50	74.25	11.5	1 x 4 Row	623	12.66
MP300LZ/3/S	TFH2511Z	3	415/3/50	74.25	3.4/Ph	1 x 4 Row	623	12.66
MP400LZ/3/D	TAG2516Z	4	415/3/50	112.50	5.4/Ph	2 x 4 Row	1246	25.32
MP500LZ/3/D	TAG2522Z	5	415/3/50	134.80	6.8/Ph	2 x 4 Row	1246	25.32
FRIGO MINI PACK PACKAGED CONDENSING UNITS - R134A MED TEMP UNITS								
MP050MY/1/S	CAJ4461Y	1/2	230/1/50	18.30	4.0	1 x 2 Row	186	6.33
MP034MY/1/S	CAJ4492Y	3/4	230/1/50	25.95	5.6	1 x 3 Row	332	9.98
MP100MY/1/S	CAJ4511Y	1	230/1/50	32.70	5.3	1 x 3 Row	332	9.98
MP150MY/1/S	FH4518Y	1-1/2	230/1/50	53.20	7.8	1 x 4 Row	623	12.66
MP200MY/1/S	FH4525Y	2	230/1/50	74.25	9.8	1 x 4 Row	623	12.66

SINGLE PHASE WIRING DIAGRAM

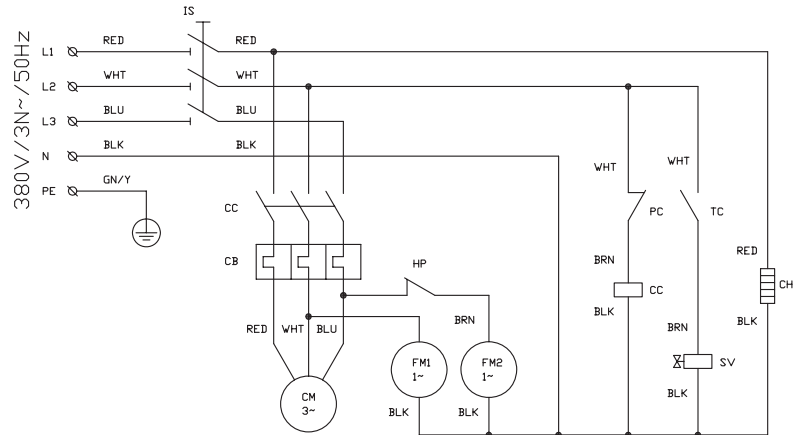


No.	Code	Application	Remark
1	IS	Isolator Switch	
2	CM	Compressor Motor	
3	FM	Fan Motor	
4	PC	Dual Pressure Control	
5	CH	Crankcase Heater	*
6	SV	Solenoid Valve	**
7	TC	Thermostat Control	**

*-NOT ALL MODELS
**-OPTIONAL

RED=Red (LIVE)
BLK=Black (NEUTRAL)
BRN=Brown
GN/Y=Green/Yellow (EARTH)

THREE PHASE WIRING DIAGRAM-TWO FAN MODEL



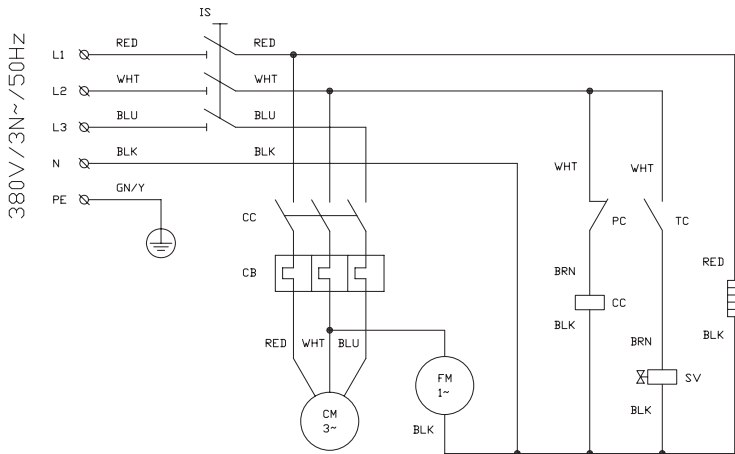
No.	Code	Application	Remark
1	IS	Isolator Switch	
2	CC	Contacteur	
3	CB	Circuit Breaker	
4	CM	Compressor Motor	
5	FMI	Fan Motor 1#	
6	FM2	Fan Motor 2#	
7	HP	HP Fan Control	
8	PC	Dual Pressure Control	
9	CH	Crankcase Heater	*
10	SV	Solenoid Valve	**
11	TC	Thermostat Control	**

*-NOT ALL MODELS
**-OPTIONAL

RED=Red
WHT=White
BLU=Blue
BLK=Black
BRN=Brown
GN/Y=Green/Yellow

CONDENSER FANS					Receiver Details			General Specifications		
No x Dia mm	Power Input Watts Each	Fan Motor Amps Each	Air Flow l/s Each	Power Supply	Capacity Litres	Liquid Line Size Imp	Suct Line Size Imp	Unit Dimensions - mm's		
								Length	Width	Height
FRIGO MINI PACK PACKAGED CONDENSING UNITS - R404A/R507 MED TEMP UNITS										
1 x Ø400mm	180	0.81	1028	230/1N/50Hz	2.35	3/8	5/8	1220	670	665
1 x Ø400mm	180	0.81	1028		2.35	3/8	5/8			
1 x Ø400mm	180	0.81	1028		2.35	3/8	5/8			
1 x Ø450mm	250	1.15	1339		2.35	3/8	5/8			
1 x Ø450mm	250	1.15	1339		3.9	3/8	5/8			
1 x Ø450mm	250	1.15	1339		3.9	3/8	5/8			
2 x Ø450mm	250	0.58/Ph	1339		6	1/2	7/8			1185
2 x Ø450mm	250	0.58/Ph	1339		6	1/2	7/8			
2 x Ø450mm	250	0.58/Ph	1339		6	1/2	7/8			
2 x Ø450mm	250	0.58/Ph	1339		6	1/2	7/8			
FRIGO MINI PACK PACKAGED CONDENSING UNITS - R404A/R507 LOW TEMP UNITS										
1 x Ø350mm	138	0.68	828	230/1N/50Hz	2.35	1/4	1/2	1220	670	665
1 x Ø350mm	138	0.68	828		2.35	1/4	1/2			
1 x Ø400mm	180	0.81	1028		2.35	3/8	1/2			
1 x Ø400mm	180	0.81	1028		2.35	3/8	5/8			
1 x Ø450mm	250	1.15	1339		3.9	3/8	5/8			
1 x Ø450mm	250	1.15	1339		3.9	3/8	5/8			
1 x Ø450mm	250	0.58/Ph	1339		3.9	3/8	5/8			1185
2 x Ø450mm	250	0.58/Ph	1339		6	1/2	7/8			
2 x Ø450mm	250	0.58/Ph	1339		6	1/2	7/8			
2 x Ø450mm	250	0.58/Ph	1339		6	1/2	7/8			
FRIGO MINI PACK PACKAGED CONDENSING UNITS - R134A MED TEMP UNITS										
1 x Ø350mm	138	0.68	828	230/1N/50Hz	2.35	1/4	1/2	1220	670	665
1 x Ø400mm	180	0.81	1028		2.35	3/8	1/2			
1 x Ø400mm	180	0.81	1028		2.35	3/8	5/8			
1 x Ø450mm	250	1.15	1339		3.9	3/8	5/8			
1 x Ø450mm	250	1.15	1339		3.9	3/8	5/8			

THREE PHASE WIRING DIAGRAM-SINGLE FAN MODEL

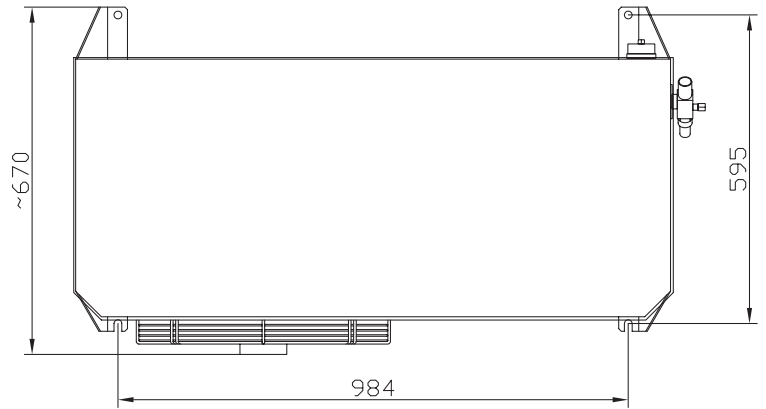
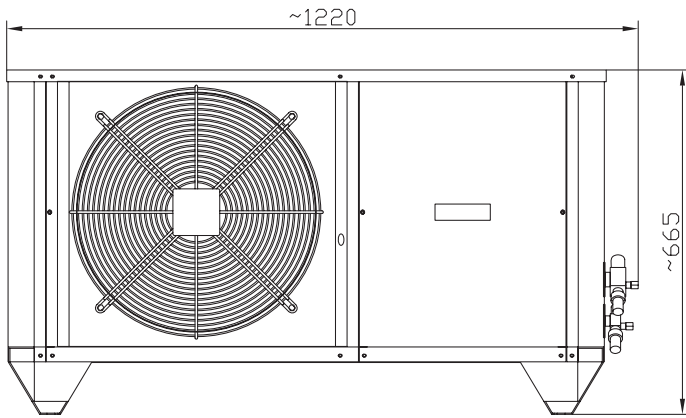


No.	Code	Application	Remark
1	IS	Isolator Switch	
2	CC	Contactor	
3	CB	Circuit Breaker	
4	CM	Compressor Motor	
5	FM	Fan Motor	
6	PC	Inlet Pressure Control	
7	CH	Crankcase Heater	*
8	SV	Solenoid Valve	**
9	TC	Thermostat Control	**

*-NOT ALL MODELS
**-OPTIONAL

RED=Red
WHT=White
BLU=Blue
BLK=Black
BRN=Brown
GN/Y=Green/Yellow

DRAWINGS & DIMENSIONS DATA SINGLE FAN MODEL



DRAWINGS & DIMENSIONS DATA DUAL FAN MODEL

